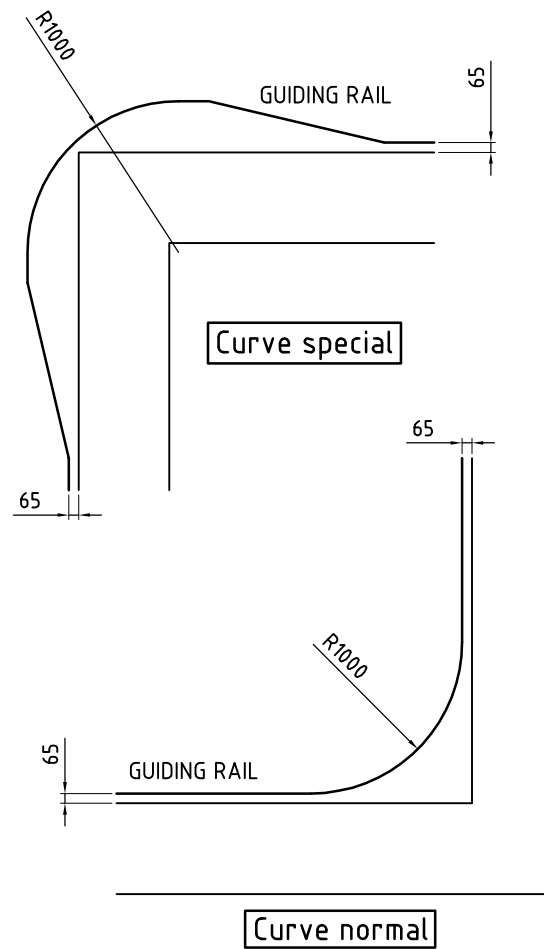
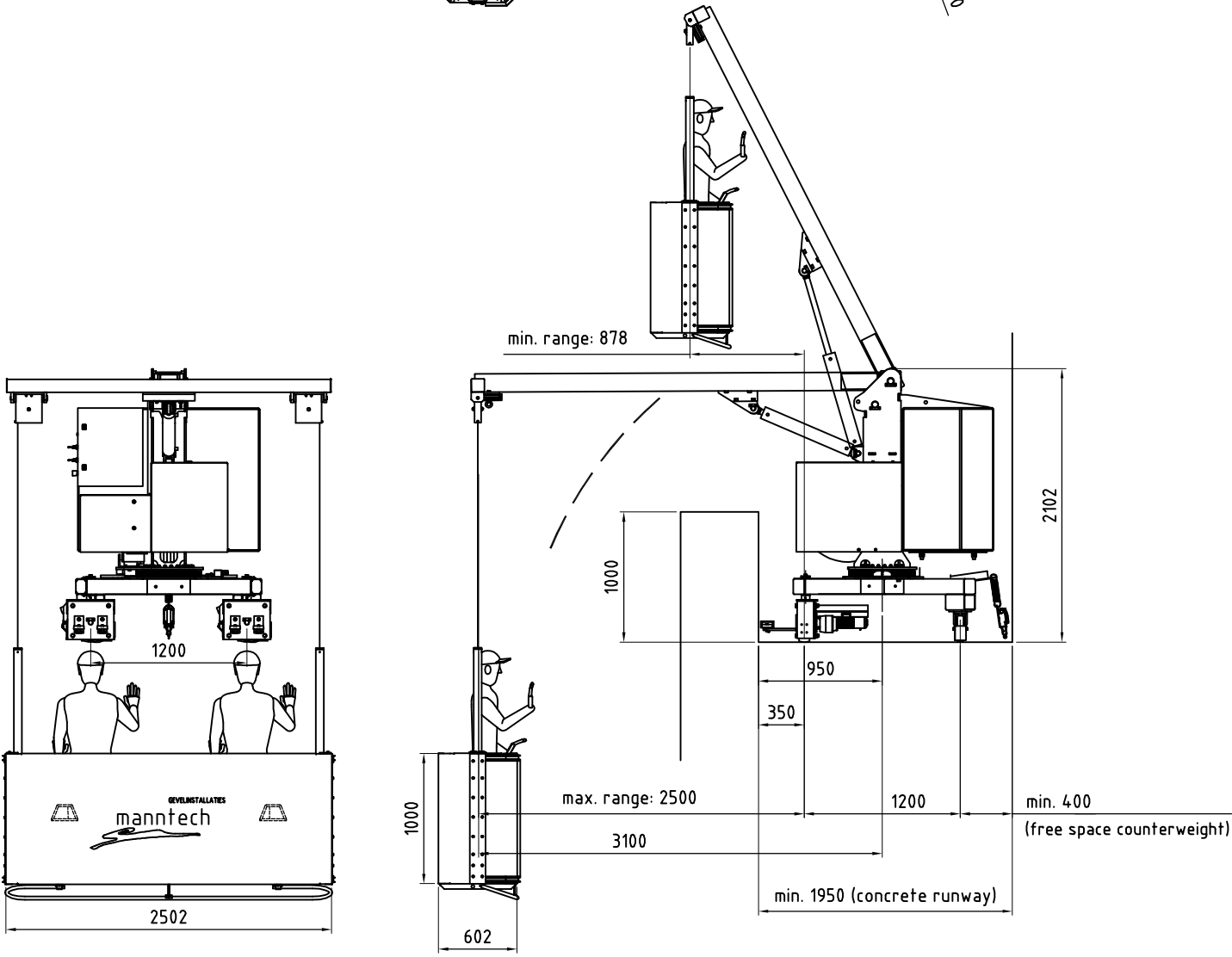


Wheel loading

	0°	45°	90°
V1	17,82 kN	20,07 kN	17,82 kN
H	1,78 kN	2,01 kN	1,78 kN
B	4,98 kN	4,98 kN	4,98 kN
V2	17,82 kN	12,38 kN	6,94 kN
H	1,78 kN	1,24 kN	0,69 kN
B	4,98 kN	4,98 kN	4,98 kN
W1	6,91 kN	12,35 kN	17,79 kN
W2	6,91 kN	4,66 kN	6,91 kN



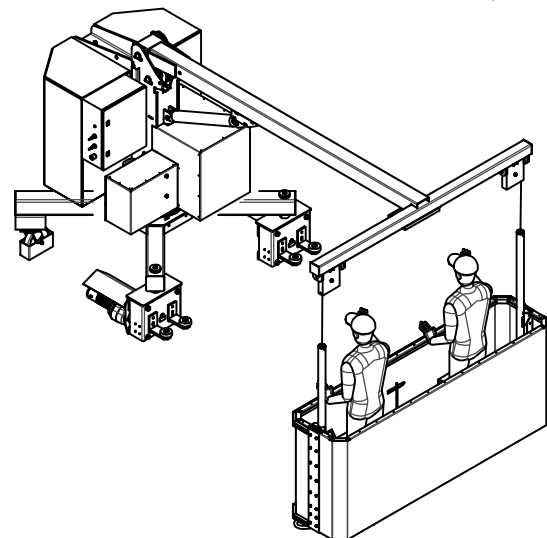
TECHNICAL INFORMATION


WEIGHT CRADLE	110 kg
WORK LOAD	240 kg
CRADLE SIZE	2500x600x1000 mm
HOIST HEIGHT	MAX. 43 M.
STEELCABLE	60 M. φ7 mm
HOIST DRUM	φ750 mm
HOISTING SPEED	± 14 m/min
DRIVING SPEED	± 13 m/min
TURNING SPEED	± 5 m/min.
DRIVING MOTOR	2 PIECES (0,09 kW)
LUFFING	HYDRAULIC for variable reach
CRADLE CONTROL	ELECTRIC HANGING CABLE
ELECTRICAL	400V/16AMP.3F.+EARTH.+0.
POWER SUPPLY	DRAG CABLE WITH PULL SWITCH
COUNTERWEIGHT	2200 kg (CONCRETE)
RUNWAY *	CONCRETE + GUIDING RAIL
MAX. RAILSPAN *	--
SURFACE TREATMENT	
ROOFCAR	HOT DIP GALVANIZING NEN-EN-ISO 1461
CRADLE+WINC COVERING	POWDERCOATING IN RAL 7035

* not for Manntech Netherlands

OPTIONS:

- Roofcar + platform powdercoating in RAL ----.
- Hydraulic cylinder for variable reach.
- Restraint system (1 stop, only for buildings up to 40 m).



Wheel loading Various changes Various changes Min. range	SCALE : 1:50	SIGNATURE	DATE	REMARK.
	DRAWN : M.A. v TILBURG	M.v.T	11-04-2012	
	CONT.:			
	DEAR :			
TYPE 3 / 1200 / NL				
MvT	18-02-13	Building Maintenance Systems manntech 		
C	27-11-12			
B	30-07-2012			
A	17-04-2012			
manntech Building Maintenance Systems		Manntech Building Maintenance Systems Postbus 6042 - 4780 LA Moerdijk		Telefoon +31(0)168 389500 Telefax +31(0)168 389501 Site: www.manntech.nl
Drawing number:			PR-DW04002	rev: D
This drawing, is our property. Neither the original drawing nor a copy there of shall be disclosed or communicated in any other way to third parties.				